



# SPUHR 2021 ISMST™ CATALOG

IDEAL SCOPE MOUNT SYSTEM™

## ABOUT THIS CATALOG

Thank you for your interest in our products!

This catalog contains the full assortment of scope mounts and separate rings that make up the ISMS™ product family.

The order of presentation is from the lowest mount with no tilt to the highest with maximum tilt from the smallest ring size/tube diameter to the largest.

If you cannot find a specific mount you are looking for, and you have a special requirement to fill, we are able to provide mounting solutions outside of our normal product range in this catalog. Such projects do require a minimum volume of 50 units.

To make this catalog as universal as possible it does not contain any prices, but we have included all measurements and the weights of the products when mounted.

We hope you will find this catalog to your liking and we welcome any feedback you may have. If you want to see more of our capabilities, please visit our website [www.spuhr.com](http://www.spuhr.com) or [www.spuhr.biz](http://www.spuhr.biz).

Yours sincerely,

Håkan Spuhr

<b>CONTENT</b>	
<b>ABOUT THIS CATALOG</b> .....	1
<b>ABOUT ISMS</b> .....	3
<b>PICATINNY MOUNTS</b> .....	4
30 mm Unimounts.....	4
34 mm Unimounts.....	8
35 mm Unimounts.....	15
36 mm Unimounts.....	17
40 mm Unimounts.....	19
<b>SAKO TRG/TIKKA T3 DOVETAIL MOUNTS</b> .....	20
30 mm Unimounts.....	20
34 mm Unimounts.....	20
36 mm Unimounts.....	21
40 mm Unimounts.....	21
<b>SEPARATE PICATINNY RINGS</b> .....	22
30 mm Separate Rings.....	22
34 mm Separate Rings.....	22
<b>RED DOT MOUNTS</b> .....	23
Aimpoint Micro Mounts.....	23
Trijicon MRO Mounts.....	24
<b>PICATINNY GEN2 SCOPE BASES</b> .....	25
Remington 700.....	25
Sauer STR.....	26
Tikka T3/T3x.....	27
Winchester Model 70.....	28
<b>ACCESSORIES</b> .....	29
Simrad Interfaces.....	33
Non-Spuhr Accessories.....	35
<b>ISMS SPARE PARTS LIST</b> .....	36
Side Clamps.....	37
Top covers.....	37
Other.....	38
Clamping Screws.....	38
“Wedge”.....	38
<b>CHOOSING A MOUNT</b> .....	39
Picatinny or direct/dovetail mount?.....	39
Cantilever or block mount?.....	39
Height.....	39
Night vision/thermal compatibility.....	40
Tilt.....	40
Adding accessories.....	40
Adding a secondary optic.....	40
<b>OTHER PRODUCTS</b> .....	42

---

## ABOUT ISMS

The Ideal Scope Mount System™ (ISMS™) originated in a customer request to help develop a way to mount the optics to a rifle in such a way that the rings did not obscure the turrets of the scope. With traditional mounting solutions the user has a choice between obscuring either the elevation or the windage adjustments (and in some cases both!)

The first trick was to make the cut of the rings diagonal rather than horizontal or vertical, thus putting the “fat” part of the rings offset from the scope turrets – a solution we ended up patenting in US patent 8,733,011 and European patent EP2478324. Then we made the sides of the rings straight as to further minimize the profile. We also added indexing marks to the rear ring to draw the eye to the adjustment reading.

We machine the mounts from 7000 grade aluminum, as this material is lightweight and extremely strong, even outperforming construction steel in several aspects. Our fasteners are 10.9 Grade steel with zinc-nickel corrosion resistance, and they come pre-waxed to ensure proper torque values.

The second request was to find a way to attach accessories to the scope mount without having to replace parts of the mount or having to re-zero the scope in between changes – it was also requested that the accessories zero should have a high degree of repeatability. The resulting solution is the Spuhr Interface, which can be found on all our mounts, and most of our weapon upgrade kits.

The resulting product was the first ever scope mounting system - a system where the mount is not just merely there to attach the primary optics to the rifle, but to also hold accessories that may not fit elsewhere on the rifle (especially on a bolt action rifle that only has the Picatinny scope base or a dovetail on the receiver).

An added bonus is the bubble level installed into the rear of the mount and the 10-degree “wedge” we include with all our mounts to make installation as easy as possible by aligning the bottom of the erector housing of the scope to the bridge of the mount, thus aligning the reticle with bubble level and the mount body.

## PICATINNY MOUNTS

### 30 mm Unimounts

#### SP-3001 Scope Mount Ø30 H30mm/1.181" 0MIL PIC

Rings: 30 mm  
 Tilt: 0 MIL/MOA  
 Height: 30 mm/1.18"  
 Length: 126 mm/4.96"  
 Weight: 237 g/8.4 oz  
 Note: Will fit most 30 mm scope tubes except for US Optics TPAL/EREK.  
 Suitable for bolt action rifles with 1-piece Picatinny rails.  
 EAN: 7340150700065



#### SP-3601 Scope Mount Ø30 H30mm/1.181" 6MIL PIC

Rings: 30 mm  
 Tilt: 6 MIL/20.6 MOA  
 Height: 30 mm/1.18"  
 Length: 126 mm/4.96"  
 Weight: 264 g/9.3 oz  
 Note: Will fit most 30 mm scope tubes except for US Optics TPAL/EREK.  
 Suitable for bolt action rifles with 1-piece Picatinny rails.  
 EAN: 7340150700133



#### SP-3026 Cantilever Scope Mount Ø30 H32mm/1.26" 0MIL PIC

Rings: 30 mm  
 Tilt: 0 MIL/MOA  
 Height: 32 mm/1.26"  
 Length: 140 mm/5.51"  
 Weight: 223 g/7.9 oz  
 Note: "The Noveske Shooting Team Mount." Suitable for AR style rifles.  
 Allows the scope to be mounted 70 mm/2.76" further forward.  
 EAN: 7340150700119



#### QDP-3006 Scope Mount Ø30 H34mm/1.35" 0MIL QDP

Rings: 30 mm  
 Tilt: 0 MIL/MOA  
 Height: 34 mm/1.35"  
 Length: 126 mm/4.96" (mount body only)  
 Weight: 254 g/9.0 oz  
 Note: Will fit most 30 mm scope tubes except for US Optics TPAL/EREK.  
 Suitable for extended Picatinny rails. Quick-release model.  
 EAN: 7340150705299



#### QDP-3046 Cantilever Scope Mount Ø30 H34mm/1.35" 0MIL QDP

Rings: 30 mm  
 Tilt: 0 MIL/MOA  
 Height: 34 mm/1.35"  
 Length: 151 mm/5.94" (mount body only)  
 Weight: 265 g/9.4 oz  
 Note: Dual adjustable QDP levers. Suitable for AR-style rifles. Allows the scope to be mounted 40 mm/1.57" further forward. Quick-release model.  
 EAN: 7340150705121



**SP-3006 Scope Mount Ø30 H34mm/1.35" 0MIL PIC**

Rings: 30 mm  
 Tilt: 0 MIL/MOA  
 Height: 34 mm/1.35"  
 Length: 126 mm/4.96"  
 Weight: 249 g/8.8 oz  
 Note: Will fit most 30 mm scope tubes except for US Optics TPAL/EREK. Suitable for extended Picatinny rails but may be too low for some lens caps.  
 EAN: 7340150700096

**QDP-3002 Scope Mount Ø30 H38mm/1.5" 0MIL QDP**

Rings: 30 mm  
 Tilt: 0 MIL/MOA  
 Height: 38 mm/1.5"  
 Length: 126 mm/4.96" (mount body only)  
 Weight: 270 g/9.6 oz  
 Note: Will fit most 30 mm scope tubes except for US Optics TPAL/EREK. Suitable for extended Picatinny rails. Quick-release model.  
 EAN: 7340150705145

**SP-3002 Scope Mount Ø30 H38mm/1.5" 0MIL PIC**

Rings: 30 mm  
 Tilt: 0 MIL/MOA  
 Height: 38 mm/1.5"  
 Length: 126 mm/4.96"  
 Weight: 264 g/9.3 oz  
 Note: Will fit most 30 mm scope tubes except for US Optics TPAL/EREK. Suitable for extended Picatinny rails. Aligns with many clip-on NV attachments.  
 EAN: 7340150700072

**QDP-3016 Cantilever Scope Mount Ø30 H38mm/1.5" 0MIL QDP**

Rings: 30 mm  
 Tilt: 0 MIL/MOA  
 Height: 38 mm/1.5"  
 Length: 151 mm/5.94" (mount body only)  
 Weight: 278 g/9.8 oz  
 Note: Dual adjustable QDP levers. Suitable for AR-style rifles. Allows the scope to be mounted 40 mm/1.57" further forward. Quick-release model.  
 EAN: 7340150705039

**SP-3016 Cantilever Scope Mount Ø30 H38mm/1.5" 0MIL PIC**

Rings: 30 mm  
 Tilt: 0 MIL/MOA  
 Height: 38 mm/1.5"  
 Length: 150 mm/5.9"  
 Weight: 252 g/8.9 oz  
 Note: Suitable for AR style rifles. Absolute co-witness with back-up iron sights. Allows the scope to be mounted 40 mm/1.57" further forward.  
 EAN: 7340150700102



**SP-3022 Cantilever Scope Mount Ø30 H38mm/1.5" 0MIL PIC**

Rings: 30 mm  
 Tilt: 0 MIL/MOA  
 Height: 38 mm/1.5"  
 Length: 140 mm/5.51"  
 Weight: 242 g/8.5 oz  
 Note: Suitable for AR style rifles. A combination of the SP-3026 extended cantilever and the height of the SP-3016. Absolute co-witness with back-up iron sights. Allows the scope to be mounted 70 mm/2.76" further forward.

EAN: 7340150701314

**QDP-3602 Scope Mount Ø30 H38mm/1.5" 6MIL QDP**

Rings: 30 mm  
 Tilt: 6 MIL/20.6MOA  
 Height: 38 mm/1.5"  
 Length: 126 mm/4.96" (mount body only)  
 Weight: 270 g/9.6 oz  
 Note: Will fit most 30 mm scope tubes except for US Optics TPAL/EREK. Suitable for extended Picatinny rails. Quick-release model.

EAN: 7340150705152

**SP-3602 Scope Mount Ø30 H38mm/1.5" 6MIL PIC**

Rings: 30 mm  
 Tilt: 6 MIL/20.6 MOA  
 Height: 38 mm/1.5"  
 Length: 126 mm/4.96"  
 Weight: 261 g/9.2 oz  
 Note: Will fit most 30 mm scope tubes except for US Optics TPAL/EREK. Suitable for extended Picatinny rails. Aligns with many clip-on NV attachments.

EAN: 7340150700140

**QDP-3616 Cantilever Scope Mount Ø30 H38mm/1.5" 6MIL QDP**

Rings: 30 mm  
 Tilt: 6 MIL/20.6 MOA  
 Height: 38 mm/1.5"  
 Length: 151 mm/5.94" (mount body only)  
 Weight: 279 g/9.8 oz  
 Note: Dual adjustable QDP levers. Suitable for long-range AR-style rifles. Allows the scope to be mounted 40 mm/1.57" further forward. Quick-release model.

EAN: 7340150705046

**SP-3616 Cantilever Scope Mount Ø30 H38mm/1.5" 6MIL PIC**

Rings: 30 mm  
 Tilt: 6 MIL/20.6 MOA  
 Height: 38 mm/1.5"  
 Length: 150 mm/5.9"  
 Weight: 242 g/8.5 oz  
 Note: Suitable for long-range AR style rifles. Absolute co-witness with back-up iron sights. Allows the scope to be mounted 40 mm/1.57" further forward.

EAN: 7340150700157



**SP-3902 Scope Mount Ø30 H38mm/1.5" 9MIL PIC****\*\*\* COMING IN 2021 \*\*\***

Rings: 30 mm  
 Tilt: 9 MIL/31 MOA  
 Height: 38 mm/1.5"  
 Length: 126 mm/4.96"  
 Weight: TBD  
 Note: Will fit most 30 mm scope tubes except for US Optics TPAL/EREK.  
 Suitable for extended Picatinny rails. Aligns with many clip-on  
 NV attachments.  
 EAN: TBD

**SP-3004 Scope Mount Ø30 H48mm/1.89" 0MIL PIC**

Rings: 30 mm  
 Tilt: 0 MIL/MOA  
 Height: 48 mm/1.89"  
 Length: 126 mm/4.96"  
 Weight: 269 g/9.5 oz  
 Note: Will fit most 30 mm scope tubes except for US Optics TPAL/EREK.  
 Suitable for extended Picatinny rails in conjunction with high  
 clip-on NV attachments such as the NSV-80.  
 EAN: 7340150700089

**SP-3024 Cantilever Scope Mount Ø30 H48mm/1.89" 0MIL PIC**

Rings: 30 mm  
 Tilt: 0 MIL/MOA  
 Height: H48mm/1.89"  
 Length: 140 mm/5.51"  
 Weight: 256 g/9.0 oz  
 Note: Suitable for AR style rifles platforms with illuminators mounted  
 on top of the handguard. Allows the scope to be mounted 70  
 mm/2.76" further forward.  
 EAN: 7340150700836





## 34 mm Unimounts

### SP-4011 Scope Mount Ø34 H28mm/1.102" 0MIL PIC

Rings: 34 mm  
 Tilt: 0 MIL/MOA  
 Height: 28 mm/1.102"  
 Length: 121 mm/4.76"  
 Weight: 231 g/8.1 oz  
 Note: "The GA Precision Mount." Designed to be used with Bushnell and S&B 3-12 and 4-16 scopes. Will not work with scopes like the S&B 5-25 or 3-20, Kahles k624i, US Optics TPAL/EREK or Nightforce BEAST. Suitable for bolt action rifles with 1-piece Picatinny rails. A 5<sup>th</sup> clamping screw allows mount to be mounted as a cantilever.

EAN: 7340150700249



### SP-4001 Scope Mount Ø34 H30mm/1.181" 0MIL PIC

Rings: 34 mm  
 Tilt: 0 MIL/MOA  
 Height: 30 mm/1.18"  
 Length: 121 mm/4.76"  
 Weight: 228 g/8.0 oz  
 Note: Will fit most 34 mm scope tubes except for US Optics TPAL/EREK and Nightforce BEAST. Suitable for bolt action rifles with 1-piece Picatinny rails.

EAN: 7340150700164



### SP-4301 Scope Mount Ø34 H30mm/1.18" 3MIL PIC

Rings: 34 mm  
 Tilt: 3 MIL/10 MOA  
 Height: 30 mm/1.18"  
 Length: 121 mm/4.76"  
 Weight: 229 g/8.1 oz  
 Note: Will fit most 34 mm scope tubes except for US Optics TPAL/EREK and Nightforce BEAST. Suitable for bolt action rifles with 1-piece Picatinny rails.

EAN: 7340150700829



### SP-4601 Scope Mount Ø34 H30mm/1.181" 6MIL PIC

Rings: 34 mm  
 Tilt: 6 MIL/20.6 MOA  
 Height: 30 mm/1.18"  
 Length: 121 mm/4.76"  
 Weight: 227 g/8.0 oz  
 Note: Will fit most 34 mm scope tubes except for US Optics TPAL/EREK and Nightforce BEAST. Suitable for bolt action rifles with 1-piece Picatinny rails.

EAN: 7340150700300



**SP-4901 Scope Mount Ø34 H30mm/1.181" 9MIL PIC**

Rings: 34 mm  
 Tilt: 9 MIL/30 MOA  
 Height: 30 mm/1.18"  
 Length: 121 mm/4.76"  
 Weight: 222 g/7.9 oz  
 Note: Will fit most 34 mm scope tubes except for US Optics TPAL/EREK and Nightforce BEAST. Suitable for bolt action rifles with 1-piece Picatinny rails.  
 EAN: 7340150700393

**SP-4801 Scope Mount Ø34 H30mm/1.181" 13MIL PIC**

Rings: 34 mm  
 Tilt: 13 MIL/44.4 MOA  
 Height: 30 mm/1.18"  
 Length: 121 mm/4.76"  
 Weight: 224 g/7.9 oz  
 Note: Designed to be used with S&B 5-25 scopes. Will fit most 34 mm scope tubes except for US Optics TPAL/EREK and Nightforce BEAST. Suitable for bolt action rifles with 1-piece Picatinny rails.  
 EAN: 7340150700348

**SP-4026 Cantilever Scope Mount Ø34 H32mm/1.26" 0MIL PIC**

Rings: 34 mm  
 Tilt: 0 MIL/MOA  
 Height: 32 mm/1.26"  
 Length: 140 mm/5.51"  
 Weight: 224 g/7.9 oz  
 Note: "The Noveske Shooting Team Mount." Suitable for AR style rifles. Allows the scope to be mounted 70 mm/2.76" further forward.  
 EAN: 7340150700263

**QDP-4006 Scope Mount Ø34 H34mm/1.35" 0MIL QDP**

Rings: 34 mm  
 Tilt: 0 MIL/MOA  
 Height: 34 mm/1.35"  
 Length: 121 mm/4.76" (mount body only)  
 Weight: 260 g/9.2 oz  
 Note: Dual adjustable QDP levers. Will not fit US Optics TPAL/EREK and Nightforce BEAST. Suitable for extended Picatinny rails. Quick-release model.  
 EAN: 7340150705305

**SP-4006 Scope Mount Ø34 H34mm/1.35" 0MIL PIC**

Rings: 34 mm  
 Tilt: 0 MIL/MOA  
 Height: 34 mm/1.35"  
 Length: 121 mm/4.76"  
 Weight: 237 g/8.4 oz  
 Note: Will fit most 34 mm scope tubes except for US Optics TPAL/EREK and Nightforce BEAST. Suitable for extended Picatinny rails but may be too low for some lens caps.  
 EAN: 7340150700218



**SP-4036 Scope Mount Ø34 H34mm/1.35" 0MIL PIC**

Rings: 34 mm  
 Tilt: 0 MIL/MOA  
 Height: 34 mm/1.35"  
 Length: 115 mm/4.53"  
 Weight: 210 g/7.4 oz  
 Note: Designed specifically for the S&B 5-20x50 Ultra Short.  
 EAN: 7340150700270

**QDP-4046 Cantilever Scope Mount Ø34 H34mm/1.35" 0MIL QDP**

Rings: 34 mm  
 Tilt: 0 MIL/MOA  
 Height: 34 mm/1.35"  
 Length: 151 mm/5.94" (mount body only)  
 Weight: 268 g/9.5 oz  
 Note: Dual adjustable QDP levers. Suitable for AR-style rifles. Allows the scope to be mounted 40 mm/1.57" further forward. Quick-release model.  
 EAN: 7340150705138

**SP-4636 Scope Mount Ø34 H34mm/1.35" 6MIL PIC**

Rings: 34 mm  
 Tilt: 6 MIL/20.60A  
 Height: 34 mm/1.35"  
 Length: 115 mm/4.53"  
 Weight: 220 g/7.8 oz  
 Note: Designed specifically for the S&B 5-20x50 Ultra Short.  
 EAN: 7340150700867

**QDP-4002 Scope Mount Ø34 H38mm/1.5" 0MIL QDP**

Rings: 34 mm  
 Tilt: 0 MIL/MOA  
 Height: 38 mm/1.5"  
 Length: 121 mm/4.76" (mount body only)  
 Weight: 267 g/9.4 oz  
 Note: Dual adjustable QDP levers. Will not fit US Optics TPAL/EREK and Nightforce BEAST. Suitable for extended Picatinny rails. Quick-release model.  
 EAN: 7340150705053

**SP-4002 Scope Mount Ø34 H38mm/1.5" 0MIL PIC**

Rings: 34 mm  
 Tilt: 0 MIL/MOA  
 Height: 38 mm/1.5"  
 Length: 121 mm/4.76"  
 Weight: 263 g/9.3 oz  
 Note: Will fit most 34 mm scope tubes except for US Optics TPAL/EREK and Nightforce BEAST. Suitable for extended Picatinny rails. Aligns with many clip-on NV attachments.  
 EAN: 7340150700171



**SP-4003B Scope Mount Ø34 H38mm/1.5" 0MIL PIC**

Rings: 34 mm  
 Tilt: 0 MIL/MOA  
 Height: 38 mm/1.5"  
 Length: 147 mm/5.79"  
 Weight: 268 g/9.5 oz  
 Note: Extended mount designed for US Optics TPAL/EREK and Nightforce BEAST. Suitable for extended Picatinny rails. Aligns with many clip-on NV attachments.  
 EAN: 7340150700195

**QDP-4016 Cantilever Scope Mount Ø34 H38mm/1.5" 0MIL QDP**

Rings: 34 mm  
 Tilt: 0 MIL/MOA  
 Height: 38 mm/1.5"  
 Length: 151 mm/5.94" (mount body only)  
 Weight: 270 g/9.5 oz  
 Note: Dual adjustable QDP levers. Suitable for AR-style rifles. Allows the scope to be mounted 40 mm/1.57" further forward. Quick-release model.  
 EAN: 7340150705060

**SP-4016 Cantilever Scope Mount Ø34 H38mm/1.5" 0MIL PIC**

Rings: 34 mm  
 Tilt: 0 MIL/MOA  
 Height: 38 mm/1.5"  
 Length: 150 mm/5.9"  
 Weight: 252 g/8.9 oz  
 Note: Suitable for AR style rifles. Absolute co-witness with back-up iron sights. Allows the scope to be mounted 40 mm/1.57" further forward.  
 EAN: 7340150700256

**SP-4022 Cantilever Scope Mount Ø34 H38mm/1.5" 0MIL PIC**

Rings: 34 mm  
 Tilt: 0 MIL/MOA  
 Height: 38 mm/1.5"  
 Length: 140 mm/5.51"  
 Weight: 246 g/8.7 oz  
 Note: Suitable for AR style rifles. A combination of the SP-3026 extended cantilever and the height of the SP-3016. Absolute co-witness with back-up iron sights. Allows the scope to be mounted 70 mm/2.76" further forward.  
 EAN: 7340150701321

**SP-4302 Scope Mount Ø34 H38mm/1.5" 3MIL PIC**

Rings: 34 mm  
 Tilt: 3 MIL/10 MOA  
 Height: 38 mm/1.5"  
 Length: 121 mm/4.76"  
 Weight: 256 g/9.0 oz  
 Note: Will fit most 34 mm scope tubes except for US Optics TPAL/EREK and Nightforce BEAST. Suitable for extended Picatinny rails. Aligns with many clip-on NV attachments.  
 EAN: 7340150700294



**QDP-4602 Scope Mount Ø34 H38mm/1.5" 6MIL QDP**

Rings: 34 mm  
 Tilt: 6 MIL/20.6 MOA  
 Height: 38 mm/1.5"  
 Length: 121 mm/4.76" (mount body only)  
 Weight: 267 g/9.4 oz  
 Note: Dual adjustable QDP levers. Will not fit US Optics TPAL/EREK and Nightforce BEAST. Suitable for extended Picatinny rails. Quick-release model.  
 EAN: 7340150705077

**SP-4602 Scope Mount Ø34 H38mm/1.5" 6MIL PIC**

Rings: 34 mm  
 Tilt: 6 MIL/20.6 MOA  
 Height: 38 mm/1.5"  
 Length: 121 mm/4.76"  
 Weight: 257 g/9.1 oz  
 Note: Will fit most 34 mm scope tubes except for US Optics TPAL/EREK and Nightforce BEAST. Suitable for extended Picatinny rails. Aligns with many clip-on NV attachments.  
 EAN: 7340150700317

**SP-4603B Scope Mount Ø34 H38mm/1.5" 6MIL PIC**

Rings: 34 mm  
 Tilt: 6 MIL/20.6 MOA  
 Height: 38 mm/1.5"  
 Length: 147 mm/5.79"  
 Weight: 268 g/9.5 oz  
 Note: Extended mount designed for US Optics TPAL/EREK and Nightforce BEAST. Suitable for extended Picatinny rails. Aligns with many clip-on NV attachments.  
 EAN: 7340150700324

**QDP-4616 Cantilever Scope Mount Ø34 H38mm/1.5" 0MIL QDP**

Rings: 34 mm  
 Tilt: 6 MIL/20.6 MOA  
 Height: 38 mm/1.5"  
 Length: 151 mm/5.94" (mount body only)  
 Weight: 270 g/9.5 oz  
 Note: Dual adjustable QDP levers. Suitable for AR-style rifles. Allows the scope to be mounted 40 mm/1.57" further forward. Quick-release model.  
 EAN: 7340150705084

**SP-4616 Cantilever Scope Mount Ø34 H38mm/1.5" 6MIL PIC**

Rings: 34 mm  
 Tilt: 6 MIL/20.6 MOA  
 Height: 38 mm/1.5"  
 Length: 150 mm/5.9"  
 Weight: 252 g/8.9 oz  
 Note: Suitable for long-range AR style rifles. Absolute co-witness with back-up iron sights. Allows the scope to be mounted 40 mm/1.57" further forward.  
 EAN: 7340150700331



**SP-4902 Scope Mount Ø34 H38mm/1.5" 9MIL PIC**

Rings: 34 mm  
 Tilt: 9 MIL/30 MOA  
 Height: 38 mm/1.5"  
 Length: 121 mm/4.76"  
 Weight: 248 g/8.7 oz  
 Note: Will fit most 34 mm scope tubes except for US Optics TPAL/EREK and Nightforce BEAST. Suitable for extended Picatinny rails. Aligns with many clip-on NV attachments.  
 EAN: 7340150700409

**SP-4802 Scope Mount Ø34 H38mm/1.5" 13MIL PIC**

Rings: 34 mm  
 Tilt: 13 MIL/44.4 MOA  
 Height: 38 mm/1.5"  
 Length: 121 mm/4.76"  
 Weight: 254 g/9.0 oz  
 Note: Designed to be used with S&B 5-25 scopes. Will fit most 34 mm scope tubes except for US Optics TPAL/EREK and Nightforce BEAST. Suitable for extended Picatinny rails. Aligns with many clip-on NV attachments.  
 EAN: 7340150700355

**SP-4803B Scope Mount Ø34 H38mm/1.5" 13MIL PIC**

Rings: 34 mm  
 Tilt: 13 MIL/44.4 MOA  
 Height: 38 mm/1.5"  
 Length: 147 mm/5.79"  
 Weight: 268 g/9.5 oz  
 Note: Extended mount designed for US Optics TPAL/EREK and Nightforce BEAST. Suitable for extended Picatinny rails. Aligns with many clip-on NV attachments.  
 EAN: 7340150700362

**SP-4007 Scope Mount Ø34 H39mm/1.535" 0MIL PIC**

Rings: 34 mm  
 Tilt: 0 MIL/MOA  
 Height: 39 mm/1.535"  
 Length: 121 mm/4.76"  
 Weight: 259 g/9.1 oz  
 Note: Will fit most 34 mm scope tubes except for US Optics TPAL/EREK and Nightforce BEAST. Suitable for extended Picatinny rails. Aligns with many clip-on NV attachments.  
 EAN: 7340150700225

**SP-4008 Scope Mount Ø34 H44mm/1.73" 0MIL PIC**

Rings: 34 mm  
 Tilt: 0 MIL/MOA  
 Height: 44 mm/1.73"  
 Length: 121 mm/4.76"  
 Weight: 262 g/9.3 oz  
 Note: Will fit most 34 mm scope tubes except for US Optics TPAL/EREK and Nightforce BEAST. Suitable for extended Picatinny rails in conjunction with high clip-on NV attachments such as the NSV-80.  
 EAN: 7340150700232





**SP-4808 Scope Mount Ø34 H44mm/1.73" 13MIL PIC**

Rings: 34 mm  
 Tilt: 13 MIL/44.4 MOA  
 Height: 44 mm/1.73"  
 Length: 121 mm/4.76"  
 Weight: 257 g/9.1 oz  
 Note: Will fit most 34 mm scope tubes except for US Optics TPAL/EREK and Nightforce BEAST. Suitable for extended Picatinny rails in conjunction with high clip-on NV attachments such as the NSV-80.  
 EAN: 7340150700386

**SP-41808 Scope Mount Ø34 H48mm/1.89" 18MIL PIC**

Rings: 34 mm  
 Tilt: 18 MIL/61.8 MOA  
 Height: 44 mm/1.73"  
 Length: 121 mm/4.76"  
 Weight: 258 g/9.1 oz  
 Note: Will fit most 34 mm scope tubes except for US Optics TPAL/EREK and Nightforce BEAST. Suitable for extended Picatinny rails in conjunction with high clip-on NV attachments such as the NSV-80.  
 EAN: 7340150700287

**SP-4004 Scope Mount Ø34 H48mm/1.89" 0MIL PIC**

Rings: 34 mm  
 Tilt: 0 MIL/MOA  
 Height: 48 mm/1.89"  
 Length: 121 mm/4.76"  
 Weight: 269 g/9.5 oz  
 Note: Will fit most 34 mm scope tubes except for US Optics TPAL/EREK and Nightforce BEAST. Suitable for extended Picatinny rails in conjunction with high clip-on NV attachments such as the NSV-80.  
 EAN: 7340150700201

**SP-4024 Cantilever Scope Mount Ø34 H48mm/1.89" 0MIL PIC**

Rings: 34 mm  
 Tilt: 0 MIL/MOA  
 Height: H48mm/1.89"  
 Length: 140 mm/5.51"  
 Weight: 264 g/9.3 oz  
 Note: Suitable for AR style rifles platforms with illuminators mounted on top of the handguard. Allows the scope to be mounted 70 mm/2.76" further forward.  
 EAN: 7340150700843

**SP-4804 Scope Mount Ø34 H48mm/1.89" 13MIL PIC**

Rings: 34 mm  
 Tilt: 13 MIL/44.4 MOA  
 Height: 48 mm/1.89"  
 Length: 121 mm/4.76"  
 Weight: 265 g/8.3 oz  
 Note: Will fit most 34 mm scope tubes except for US Optics TPAL/EREK and Nightforce BEAST. Suitable for extended Picatinny rails in conjunction with high clip-on NV attachments such as the NSV-80.  
 EAN: 7340150700379



## 35 mm Unimounts

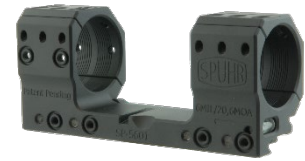
### SP-5001 Scope Mount Ø35 H30mm/1.181" 0MIL PIC

Rings: 35 mm  
 Tilt: 0 MIL/MOA  
 Height: 30 mm/1.18"  
 Length: 126 mm/4.96"  
 Weight: 239 g/8.4 oz  
 Note: Suitable for bolt action rifles with 1-piece Picatinny rails.  
 EAN: 7340150700416



### SP-5601 Scope Mount Ø35 H30mm/1.181" 6MIL PIC

Rings: 35 mm  
 Tilt: 6 MIL/20.6 MOA  
 Height: 30 mm/1.18"  
 Length: 126 mm/4.96"  
 Weight: 238 g/8.4 oz  
 Note: Suitable for bolt action rifles with 1-piece Picatinny rails.  
 EAN: 7340150700447



### SP-5006 Scope Mount Ø35 H34mm/1.35" 0MIL PIC

Rings: 35 mm  
 Tilt: 0 MIL/MOA  
 Height: 34 mm/1.35"  
 Length: 126 mm/4.96"  
 Weight: 251 g/8.9 oz  
 Note: Suitable for extended Picatinny rails but may be too low for some lens caps.  
 EAN: 7340150700430



### QDP-5002 Scope Mount Ø35 H38mm/1.5" 0MIL QDP

Rings: 35 mm  
 Tilt: 0 MIL/MOA  
 Height: 38 mm/1.5"  
 Length: 126 mm/4.96" (mount body only)  
 Weight: 277 g/9.8 oz  
 Note: Dual adjustable QDP levers. Will not fit US Optics TPAL/EREK. Suitable for extended Picatinny rails. Quick-release model.  
 EAN: 7340150705268



### SP-5002 Scope Mount Ø35 H38mm/1.5" 0MIL PIC

Rings: 35 mm  
 Tilt: 0 MIL/MOA  
 Height: 38 mm/1.5"  
 Length: 126 mm/4.96"  
 Weight: 272 g/9.6 oz  
 Note: Suitable for extended Picatinny rails. Aligns with many clip-on NV attachments.  
 EAN: 7340150700423





**SP-5016 Cantilever Scope Mount Ø35 H38mm/1.5" 0MIL PIC**

Rings: 35 mm  
 Tilt: 0 MIL/MOA  
 Height: 38 mm/1.5"  
 Length: 150 mm/5.9"  
 Weight: 260 g/9.2 oz  
 Note: Suitable for AR style rifles. Absolute co-witness with back-up iron sights. Allows the scope to be mounted 40 mm/1.57" further forward.  
 EAN: 7340150701246

**SP-5602 Scope Mount Ø35 H38mm/1.5" 6MIL PIC**

Rings: 35 mm  
 Tilt: 6 MIL/20.6 MOA  
 Height: 38 mm/1.5"  
 Length: 126 mm/4.96"  
 Weight: 268 g/9.5 oz  
 Note: Suitable for extended Picatinny rails. Aligns with many clip-on NV attachments.  
 EAN: 7340150700454

**SP-5616 Cantilever Scope Mount Ø35 H38mm/1.5" 6MIL PIC**

Rings: 35 mm  
 Tilt: 6 MIL/20.6 MOA  
 Height: 38 mm/1.5"  
 Length: 150 mm/5.9"  
 Weight: 255 g/9.0 oz  
 Note: Suitable for AR style rifles. Absolute co-witness with back-up iron sights. Allows the scope to be mounted 40 mm/1.57" further forward.  
 EAN: 7340150701253

**SP-5808 Scope Mount Ø35 H44mm/1.73" 13MIL PIC**

**\*\*\* COMING IN 2021 \*\*\***

Rings: 35 mm  
 Tilt: 13 MIL/44.4 MOA  
 Height: 44 mm/1.73"  
 Length: 126 mm/4.96"  
 Weight: TBD  
 Note: Will fit most 35 mm scope tubes except for US Optics TPAL/EREK. Suitable for extended Picatinny rails.  
 EAN: TBD

  
**Image**  
 Coming soon

## 36 mm Unimounts

### SP-6001 Scope Mount Ø36 H30mm/1.18" 0MIL PIC

Rings: 36 mm  
 Tilt: 0 MIL/MOA  
 Height: 30 mm/1.18"  
 Length: 128 mm/5.04"  
 Weight: 240 g/8.5 oz  
 Note: Suitable for bolt action rifles with 1-piece Picatinny rails. Designed for Zeiss V8. Will not fit Hensoldt ZF 3.5-26x56.  
 EAN: 7340150700850



### SP-6601 Scope Mount Ø36 H30mm/1.18" 6MIL PIC

Rings: 36 mm  
 Tilt: 6 MIL/20.6 MOA  
 Height: 30 mm/1.18"  
 Length: 128 mm/5.04"  
 Weight: 247 g/8.7 oz  
 Note: Suitable for bolt action rifles with 1-piece Picatinny rails. Designed for Zeiss V8. Will not fit Hensoldt ZF 3.5-26x56.  
 EAN: 7340150701222



### SP-6026 Cantilever Scope Mount Ø36 H32mm/1.26" 0MIL PIC

Rings: 36 mm  
 Tilt: 0 MIL/MOA  
 Height: 32 mm/1.26"  
 Length: 140 mm/5.51"  
 Weight: 223 g/7.9 oz  
 Note: "The Noveske Shooting Team Mount." Suitable for AR style rifles. Allows the scope to be mounted 70 mm/2.76" further forward.  
 EAN: 7340150700492



### QDP-6002 Scope Mount Ø36 H38mm/1.5" 0MIL QDP

Rings: 36 mm  
 Tilt: 0 MIL/MOA  
 Height: 38 mm/1.5"  
 Length: 126 mm/4.96" (mount body only)  
 Weight: 279 g/9.8 oz  
 Note: Dual adjustable QDP levers. Will not fit US Optics TPAL/EREK. Suitable for extended Picatinny rails. Quick-release model.  
 EAN: 7340150705275



### SP-6002 Scope Mount Ø36 H38mm/1.5" 0MIL PIC

Rings: 36 mm  
 Tilt: 0 MIL/MOA  
 Height: 38 mm/1.5"  
 Length: 139 mm/5.47"  
 Weight: 272 g/9.6 oz  
 Note: Suitable for extended Picatinny rails. Aligns with many clip-on NV attachments. Does not have a built-in bubble level. Designed for Hensoldt ZF 3.5-26x56.  
 EAN: 7340150700461



**QDP-6016 Cantilever Scope Mount Ø36 H38mm/1.5" 0MIL QDP**

Rings: 36 mm  
 Tilt: 0 MIL/MOA  
 Height: 38 mm/1.5"  
 Length: 151 mm/5.94" (mount body only)  
 Weight: 289 g/10.2 oz  
 Note: Dual adjustable QDP levers. Suitable for extended Suitable for AR-style rifles. Allows the scope to be mounted 40 mm/1.57" further forward. Quick-release model.  
 EAN: 7340150705091

**SP-6016 Cantilever Scope Mount Ø36 H38mm/1.5" 0MIL PIC**

Rings: 36 mm  
 Tilt: 0 MIL/MOA  
 Height: 38 mm/1.5"  
 Length: 154 mm/6.06"  
 Weight: 264 g/9.3 oz  
 Note: Suitable for AR style rifles. Absolute co-witness with back-up iron sights. Allows the scope to be mounted 40 mm/1.57" further forward.  
 EAN: 7340150700485

**SP-6602 Scope Mount Ø36 H38mm/1.5" 6MIL PIC**

Rings: 36 mm  
 Tilt: 6 MIL/20.6 MOA  
 Height: 38 mm/1.5"  
 Length: 128 mm/5.04"  
 Weight: 273 g/9.6 oz  
 Note: Suitable for extended Picatinny rails. Aligns with many clip-on NV attachments. Designed for Hensoldt ZF 3.5-26x56.  
 EAN: 7340150701239

**SP-61602 Scope Mount Ø30 H38mm/1.5" 16MIL PIC**

Rings: 36 mm  
 Tilt: 16 MIL/55 MOA  
 Height: 38 mm/1.5"  
 Length: 139 mm/5.47"  
 Weight: 272 g/9.6 oz  
 Note: Suitable for extended Picatinny rails. Aligns with many clip-on NV attachments. Designed for Hensoldt ZF 3.5-26x56.  
 EAN: 7340150700508

**SP-6004 Scope Mount Ø36 H48mm/1.89" 0MIL PIC**

Rings: 36 mm  
 Tilt: 0 MIL/MOA  
 Height: H48mm/1.89"  
 Length: 139 mm/5.47"  
 Weight: 291 g/10.3 oz  
 Note: Suitable for extended Picatinny rails. Aligns with many clip-on NV attachments. Designed for Hensoldt ZF 3.5-26x56.  
 EAN: 7340150700478



## 40 mm Unimounts

### SP-7001 Scope Mount Ø40 H30mm/1.181" 0MIL PIC

Rings: 40 mm  
 Tilt: 0 MIL/MOA  
 Height: 30 mm/1.18"  
 Length: 126 mm/4.96"  
 Weight: 245 g/8.6 oz  
 Note: Suitable for bolt action rifles with 1-piece Picatinny rails.  
 EAN: 7340150700898



### SP-7601 Scope Mount Ø40 H30mm/1.181" 6MIL PIC

Rings: 40 mm  
 Tilt: 6 MIL/20.6 MOA  
 Height: 30 mm/1.18"  
 Length: 126 mm/4.96"  
 Weight: 234 g/8.3 oz  
 Note: Suitable for bolt action rifles with 1-piece Picatinny rails.  
 EAN: 7340150700515



### QDP-7002 Scope Mount Ø40 H38mm/1.5" 0MIL QDP

Rings: 40 mm  
 Tilt: 0 MIL/MOA  
 Height: 38 mm/1.5"  
 Length: 126 mm/4.96" (mount body only)  
 Weight: 288 g/10.2 oz  
 Note: Dual adjustable QDP levers. Will not fit US Optics TPAL/EREK. Suitable for extended Picatinny rails. Quick-release model.  
 EAN: 7340150705282



### SP-7002 Scope Mount Ø40 H38mm/1.5" 0MIL PIC

Rings: 40 mm  
 Tilt: 0 MIL/MOA  
 Height: 38 mm/1.5"  
 Length: 126 mm/4.96"  
 Weight: 272 g/9.6 oz  
 Note: Suitable for extended Picatinny rails. Aligns with many clip-on NV attachments.  
 EAN: 7340150700812



### SP-7602 Scope Mount Ø40 H38mm/1.5" 6MIL PIC

Rings: 40 mm  
 Tilt: 6 MIL/20.6 MOA  
 Height: 38 mm/1.5"  
 Length: 126 mm/4.96"  
 Weight: 270 g/9.6 oz  
 Note: Suitable for extended Picatinny rails. Aligns with many clip-on NV attachments.  
 EAN: 7340150700751



## SAKO TRG/TIKKA T3 DOVETAIL MOUNTS

### 30 mm Unimounts

#### ST-3701 Scope Mount Ø30 H35mm/1.378" 7MIL TRG

Rings: 30 mm  
 Tilt: 7 MIL/24 MOA  
 Height: 35 mm/1.38"  
 Length: 126 mm/4.96"  
 Weight: 241 g/8.5 oz  
 Note: Will fit most 30 mm scope tubes except for US Optics TPAL/EREK.  
 EAN: 7340150700577



### 34 mm Unimounts

#### ST-4701 Scope Mount Ø34 H35mm/1.378" 7MIL TRG

Rings: 34 mm  
 Tilt: 7 MIL/24 MOA  
 Height: 35 mm/1.38"  
 Length: 121 mm/4.76"  
 Weight: 235 g/8.3 oz  
 Note: Will fit most 34 mm scope tubes except for US Optics TPAL/EREK and Nightforce BEAST.  
 EAN: 7340150700584



#### ST-4801 Scope Mount Ø34 H35mm/1.378" 13MIL TRG

Rings: 34 mm  
 Tilt: 13 MIL/44.4 MOA  
 Height: 35 mm/1.38"  
 Length: 121 mm/4.76"  
 Weight: 238 g/8.4 oz  
 Note: Designed to be used with S&B 5-25 scopes. Will fit most 34 mm scope tubes except for US Optics TPAL/EREK and Nightforce BEAST.  
 EAN: 7340150700607



#### ST-4708 Scope Mount Ø34 H44mm/1.732" 7MIL TRG

Rings: 34 mm  
 Tilt: 7 MIL/24 MOA  
 Height: 44mm/1.732"  
 Length: 121 mm/4.76"  
 Weight: 258 g/9.1 oz  
 Note: Will fit most 34 mm scope tubes except for US Optics TPAL/EREK and Nightforce BEAST. Designed for use with NV attachments.  
 EAN: 7340150700591



#### ST-4808 Scope Mount Ø34 H44mm/1.732" 13MIL TRG

Rings: 34 mm  
 Tilt: 13 MIL/44.4 MOA  
 Height: 44mm/1.732"  
 Length: 121 mm/4.76"  
 Weight: 256 g/9.0 oz  
 Note: Designed to be used with S&B 5-25 scopes. Will fit most 34 mm scope tubes except for US Optics TPAL/EREK and Nightforce BEAST. Designed for use with NV attachments.  
 EAN: 7340150700614



## 36 mm Unimounts

### ST-6401 Scope Mount Ø36 H35mm/1.378" 4MIL TRG

Rings: 36 mm  
Tilt: 4 MIL/14 MOA  
Height: 35 mm/1.38"  
Length: 126 mm/4.96"  
Weight: 245 g/8.6 oz  
Note: Will fit most 36 mm scope tubes. Will not fit Hensoldt ZF 3.5-26x56.  
EAN: 7340150700881



## 40 mm Unimounts

### ST-7601 Scope Mount Ø40 H35mm/1.378" 6MIL TRG

Rings: 40 mm  
Tilt: 6 MIL/20.6 MOA  
Height: 35 mm/1.38"  
Length: 126 mm/4.96"  
Weight: 249 g/8.8 oz  
Note: Will fit most 40 mm scope tubes.  
EAN: 7340150700874



## SEPARATE PICATINNY RINGS

### 30 mm Separate Rings

#### SR-3000 Separate Rings Ø30 H25.4mm/1"

Rings: 30 mm  
 Height: 25.4 mm/1"  
 Length: 32 mm/1.26"  
 Weight: 175 g/6.2 oz  
 Note: Suitable for bolt action rifles with Picatinny rails.  
 EAN: 7340150700522



#### SR-3006 Separate Rings Ø30 H34mm/1.35"

Rings: 30 mm  
 Height: 34 mm/1.35"  
 Length: 32 mm/1.26"  
 Weight: 201 g/7.1 oz  
 Note: Suitable for all rifles with Picatinny rails.  
 EAN: 7340150700737



### 34 mm Separate Rings

#### SR-4000 Separate Rings Ø34 H25.4mm/1"

Rings: 34 mm  
 Height: 25.4 mm/1"  
 Length: 32 mm/1.26"  
 Weight: 183 g/6.5 oz  
 Note: Suitable for bolt action rifles with Picatinny rails.  
 EAN: 7340150700546



#### SR-4006 Separate Rings Ø34 H34mm/1.35"

Rings: 34 mm  
 Height: 34 mm/1.35"  
 Length: 32 mm/1.26"  
 Weight: 201 g/7.1 oz  
 Note: Suitable for all rifles with Picatinny rails.  
 EAN: 7340150700744



## RED DOT MOUNTS

### Aimpoint Micro Mounts

#### SM-1900 Aimpoint Micro Mount, 22 mm/0.866"

Height: 22 mm/0.866"  
 Weight: 45 g/1.6 oz  
 Note: Suitable for rifles with high Picatinny rails.  
 EAN: 7340150701048



#### SM-2001 Aimpoint Micro Mount, 30 mm/1.18"

Height: 30 mm/1.18"  
 Weight: 63 g/2.2 oz  
 Note: Suitable for rifles with high Picatinny rails.  
 EAN: 7340150701055



#### SM-2007 Aimpoint Micro Mount, Absolute

Height: 38 mm/1.5"  
 Weight: 88 g/3.1 oz  
 Note: Absolute co-witness with Aimpoint T2.  
 Suitable for flat-top AR15/M4.  
 EAN: 7340150701062



#### SM-2007B Aimpoint Micro Mount, Lower 1/3

Height: 41 mm/1.614"  
 Weight: 91 g/3.2 oz  
 Note: The toughest Aimpoint Micro Mount on the market.  
 Lower 1/3 co-witness with Aimpoint T2. Suitable for  
 flat-top AR15/M4.  
 EAN: 7340150701079



#### QDM-2001 Aimpoint Micro Mount, 30 mm/1.18" QD

Height: 30 mm/1.18"  
 Weight: 80 g/2.8 oz  
 Note: Suitable for rifles with high Picatinny rails. Quick detachable.  
 EAN: 7340150705350



#### QDM-2002 Aimpoint Micro Mount, Absolute QD

Height: 38 mm/1.5"  
 Weight: 90 g/3.2 oz  
 Note: Absolute co-witness with Aimpoint T2. Quick detachable.  
 Suitable for flat-top AR15/M4.  
 EAN: 7340150705312





**QDM-2002B Aimpoint Micro Mount, Lower 1/3 QD**

Height: 42 mm/1.65"

Weight: 97 g/3.4 oz

Note: The toughest Aimpoint Micro Mount on the market.  
Lower 1/3 co-witness with Aimpoint T2. Quick detachable.  
Suitable for flat-top AR15/M4.

EAN: 7340150705329

**Trijicon MRO Mounts****SM-3002 Trijicon MRO Mount, Absolute**

Height: 38 mm/1.5"

Weight: 52 g/1.8 oz

Note: The toughest MRO Mount on the market. Absolute co-witness.  
Suitable for flat-top AR15/M4.

EAN: 7340150701093

**SM-3002B Trijicon MRO Mount, Lower 1/3**

Height: 42 mm/1.65"

Weight: 59 g/2.1 oz

Note: The toughest MRO Mount on the market. Lower 1/3 co-witness.  
Suitable for flat-top AR15/M4.

EAN: 7340150701130

**QDM-3001 Trijicon MRO Mount, 30 mm/1.18" QD**

Height: 30 mm/1.18"

Weight: 65 g/2.3 oz

Note: The toughest MRO Mount on the market. Quick detachable.  
Suitable for rifles with high Picatinny rails.

EAN: 7340150705367

**QDM-3002 Trijicon MRO Mount, Absolute QD**

Height: 38 mm/1.5"

Weight: 75 g/2.6 oz

Note: The toughest MRO Mount on the market. Absolute co-witness.  
Quick detachable. Suitable for flat-top AR15/M4.

EAN: 7340150705336

**QDM-3002B Trijicon MRO Mount, Lower 1/3 QD**

Height: 42 mm/1.65"

Weight: 87 g/3.1 oz

Note: The toughest MRO Mount on the market. Lower 1/3 co-witness.  
Quick detachable. Suitable for flat-top AR15/M4.

EAN: 7340150705343



## PICATINNY GEN2 SCOPE BASES

### High Quality Dehorned Scope Mount Bases

Based on a decade of experience designing and manufacturing the original Ideal Scope Mount System – including a vast number of accessories – as well as forends and stock assemblies for various firearms, we are proudly providing you with the Next Generation Picatinny Rail Scope Bases.

Our Picatinny Gen2 scope bases feature properly dehorned edges for improved repeatability and a smooth touch. Using 7075 T651 aluminum we combine strength and durability with low weight.

The rails come with 6-48x1/4" Torx 10-screws and stainless-steel pins for optional pinning of the scope base to the action. Can be used on right and left-handed actions alike.

### Remington 700

#### R-7001 Remington 700 SA Scope Base 0MIL

Tilt: 0 MIL/MOA  
 Height: 10 mm/0.39"  
 Length: 145 mm/5.7"  
 Weight: 53 g/1.9 oz  
 Note: Height is measured from the top of the front vault of the action to the top of the Picatinny. Weight includes screws. Add 0.8 g/0.03 oz for pins.  
 EAN: 7340150706302



#### R-7601 Remington 700 SA Scope Base 6MIL

Tilt: 6 MIL/20.6 MOA  
 Height: 10 mm/0.39"  
 Length: 145 mm/5.7"  
 Weight: 55 g/1.9 oz  
 Note: Height is measured from the top of the front vault of the action to the top of the Picatinny. Weight includes screws. Add 0.8 g/0.03 oz for pins.  
 EAN: 7340150706395



#### R-7002 Remington 700 SA Scope Base 0MIL Extended

Tilt: 0 MIL/MOA  
 Height: 10 mm/0.39"  
 Length: 175 mm/6.89"  
 Weight: 64 g/2.3 oz  
 Note: Height is measured from the top of the front vault of the action to the top of the Picatinny. Weight includes screws. Add 0.8 g/0.03 oz for pins.  
 EAN: 7340150706319



#### R-7602 Remington 700 SA Scope Base 6MIL Extended

Tilt: 6 MIL/20.6 MOA  
 Height: 10 mm/0.39"  
 Length: 175 mm/6.89"  
 Weight: 67 g/2.4 oz  
 Note: Height is measured from the top of the front vault of the action to the top of the Picatinny. Weight includes screws. Add 0.8 g/0.03 oz for pins.  
 EAN: 7340150706401



**R-7011 Remington 700 LA Scope Base 0MIL**

Tilt: 0 MIL/MOA  
 Height: 10 mm/0.39"  
 Length: 164 mm/6.46"  
 Weight: 58 g/2.0 oz  
 Note: Height is measured from the top of the front vault of the action to the top of the Picatinny. Weight includes screws. Add 0.8 g/0.03 oz for pins.  
 EAN: 7340150706326

**R-7611 Remington 700 LA Scope Base 6MIL**

Tilt: 6 MIL/20.6 MOA  
 Height: 10 mm/0.39"  
 Length: 164 mm/6.46"  
 Weight: 58 g/2.0 oz  
 Note: Height is measured from the top of the front vault of the action to the top of the Picatinny. Weight includes screws. Add 0.8 g/0.03 oz for pins.  
 EAN: 7340150706418

**R-7012 Remington 700 LA Scope Base 0MIL Extended**

Tilt: 0 MIL/MOA  
 Height: 10 mm/0.39"  
 Length: 195 mm/7.68"  
 Weight: 70 g/2.5 oz  
 Note: Height is measured from the top of the front vault of the action to the top of the Picatinny. Weight includes screws. Add 0.8 g/0.03 oz for pins.  
 EAN: 7340150706333

**R-7612 Remington 700 LA Scope Base 6MIL Extended**

Tilt: 6 MIL/20.6 MOA  
 Height: 10 mm/0.39"  
 Length: 195 mm/7.68"  
 Weight: 74 g/2.6 oz  
 Note: Height is measured from the top of the front vault of the action to the top of the Picatinny. Weight includes screws. Add 0.8 g/0.03 oz for pins.  
 EAN: 7340150706425

**Sauer STR****R-7042 Sauer 200 STR Scope Base 0MIL Extended**

Tilt: 0 MIL/MOA  
 Height: 15 mm/0.59"  
 Length: 215 mm/8.46"  
 Weight: 100 g/3.5 oz  
 Note: Height is measured from the top of the action to the top of the Picatinny. Weight includes screws. Add 1.2 g/0.04 oz for pins.  
 EAN: 7340150706371



**R-7642 Sauer 200 STR Scope Base 6MIL Extended**

Tilt: 6 MIL/20.6 MOA  
 Height: 15 mm/0.59"  
 Length: 215 mm/8.46"  
 Weight: 107 g/3.8 oz  
 Note: Height is measured from the top of the action to the top of the Picatinny. Weight includes screws. Add 1.2 g/0.04 oz for pins.  
 EAN: 7340150706463

**Tikka T3/T3x****R-7021 Tikka T3/T3x Scope Base 0MIL**

Tilt: 0 MIL/MOA  
 Height: 11 mm/0.43"  
 Length: 164 mm/6.46"  
 Weight: 65 g/2.3 oz  
 Note: Height is measured from the top of the action to the top of the Picatinny. Weight includes screws. Add 0.8 g/0.03 oz for pins.  
 EAN: 7340150706340

**R-7621 Tikka T3/T3x Scope Base 6MIL**

Tilt: 6 MIL/20.6 MOA  
 Height: 11 mm/0.43"  
 Length: 164 mm/6.46"  
 Weight: 67 g/2.4 oz  
 Note: Height is measured from the top of the action to the top of the Picatinny. Weight includes screws. Add 0.8 g/0.03 oz for pins.  
 EAN: 7340150706432

**R-7022 Tikka T3/T3x Scope Base 0MIL Extended**

Tilt: 0 MIL/MOA  
 Height: 11 mm/0.43"  
 Length: 195 mm/7.68"  
 Weight: 77 g/2.7 oz  
 Note: Height is measured from the top of the action to the top of the Picatinny. Weight includes screws. Add 0.8 g/0.03 oz for pins.  
 EAN: 7340150706357

**R-7622 Tikka T3/T3x Scope Base 6MIL Extended**

Tilt: 6 MIL/20.6 MOA  
 Height: 11 mm/0.43"  
 Length: 195 mm/7.68"  
 Weight: 81 g/2.9 oz  
 Note: Height is measured from the top of the action to the top of the Picatinny. Weight includes screws. Add 0.8 g/0.03 oz for pins.  
 EAN: 7340150706449



## Winchester Model 70

### R-7031 Winchester 70 Scope Base 0MIL

Tilt: 0 MIL/MOA  
Height: 10 mm/0.39"  
Length: 155 mm/2.16"  
Weight: 52 g/1.8oz  
Note: Height is measured from the top of the front vault of the action to the top of the Picatinny. Weight includes screws. Add 0.8 g/0.03 oz for pins.  
EAN: 7340150706364



### R-7631 Winchester 70 Scope Base 6MIL

\*\*\* COMING IN 2021 \*\*\*

Tilt: 6 MIL/20.6 MOA  
Height: 10 mm/0.39"  
Length: 155 mm/2.16"  
Weight: TBD  
Note: Height is measured from the top of the front vault of the action to the top of the Picatinny. Weight includes screws. Add 0.8 g/0.03 oz for pins.  
EAN: 7340150706456



**Image**  
Coming soon

## ACCESSORIES

### A-0001 Spacer for Interface, 4 mm/.157"

Height: 4 mm/.157"  
 Weight: 7 g/0.2 oz  
 Note: Designed to raise interfaces above turrets and large objectives.  
 Includes screws.  
 EAN: 7340150710002



### A-0003 Picatinny Rail 10x55 mm

Height: 10 mm/.39"  
 Length: 55 mm/2.16"  
 Weight: 18 g/0.6 oz  
 Note: Picatinny interface for attaching 3<sup>rd</sup> party accessories with Picatinny clamps to the ISMS scope mount. Includes screws.  
 EAN: 7340150710040



### A-0004 ACI Interface, QD

Weight: 19 g/0.7 oz  
 Note: QD Interface for attaching Angle Cosine Indicator to the ISMS scope mount. Includes screws.  
 EAN: 7340150710064



### A-0009 Delta Point Interface

Weight: 17 g/0.6 oz  
 Note: Interface for attaching a Leupold DeltaPoint to the scope mount. Will also fit Shield Mini Sight, JPoint, Firepoint, Tasco Optima, and Trijicon RedDot. Includes screws.  
 EAN: 7340150710088



### A-0010 Trijicon RMR Interface

Weight: 21 g/0.7 oz  
 Note: Interface for attaching a Trijicon RMR to an ISMS scope mount. Includes screws.  
 EAN: 7340150710095



### A-0011 Docter/Burris Fastfire Interface

Weight: 16 g/0.6 oz  
 Note: Interface for attaching a Docter, Burris FastFire, or Vortex Venom red dot sight to the scope mount. Includes screws.  
 EAN: 7340150710101



**A-0011B Docter/Burriss Fastfire Protected Interface w/ Hood**

Weight: 39 g/1.4 oz  
 Note: Protected interface with hood for attaching a Docter, Burriss FastFire, or Vortex Venom red dot sight to the scope mount. Will not fit Burriss Fastfire III. Includes screws.  
 EAN: 7340150710118

**A-0011H DR/Burriss Hood**

Weight: 19 g/0.7 oz  
 Note: Replacement hood for A-0011B.  
 EAN: 7340150710125

**A-0015 Spacer for Interface, 10 mm/.39"**

Height: 10 mm/.39"  
 Weight: 14 g/0.5 oz  
 Note: Designed to raise interfaces above turrets and large objectives. Includes screws.  
 EAN: 7340150710149

**A-0019D Wilcox RAPTAR/RAPTAR-S Adapter, Low**

Height: 14 mm/0.55"  
 Length: 85 mm/3.35" (Picatinny Rail)  
 Weight: 31 g/1.1 oz  
 Note: Interface for attaching Wilcox RAPTAR or RAPTAR S laser range finder with Picatinny riser to ISMS scope mount. Includes screws.  
 EAN: 7340150710613

**A-0021 FLIR Tri-Rail**

Length: 120 mm/4.72"  
 Weight: 262 g/9.3 oz  
 Note: Interface for mounting FLIR thermal image intensifier to 34 mm ISMS mount. Fits around front ring. Includes screws.  
 EAN: 7340150710279

**A-0023 ACI Interface**

Weight: 16 g/0.6 oz  
 Note: Interface for attaching Angle Cosine Indicator to the ISMS scope mount. Includes screws.  
 EAN: 7340150710170

**A-0025 Aimpoint Micro Interface**

Weight: 43 g/1.5 oz  
 Note: Interface for attaching Aimpoint Micro or Vortex SPARC® AR red dot sight to the right side of the ISMS scope mount (4:30-position). Includes screws.  
 EAN: 7340150710187



**A-0025B Aimpoint Micro Interface, Left**

Weight: 43 g/1.5 oz  
 Note: Interface for attaching Aimpoint Micro or Vortex SPARC® AR red dot sight to the left side of the ISMS scope mount (7:30-position). Includes screws.  
 EAN: 7340150710194

**A-0029 Wilcox RAPTAR Adapter**

Height: 25 mm/0.984"  
 Length: 85 mm/3.346" (Picatinny Rail)  
 Weight: 42 g/1.5 oz  
 Note: Interface for attaching Wilcox RAPTAR or SilencerCo RADIUS laser range finder to ISMS scope mount. Includes screws.  
 EAN: 7340150710200

**A-0029B Wilcox RAPTAR/RAPTAR-S Adapter, High**

Height: 34 mm/1.34"  
 Length: 104 mm/4.095" (Picatinny Rail)  
 Weight: 59 g/2.1 oz  
 Note: Interface for attaching Wilcox RAPTAR, RAPTAR-S (Gen2,) or SilencerCo RADIUS laser range finder to ISMS scope mount. Includes screws.  
 EAN: 7340150710392

**A-0029C Gen1 Wilcox RAPTAR-S Adapter, Interrupted Picatinny**

Height: 34 mm/1.34"  
 Length: 104 mm/4.095" (Picatinny Rail)  
 Weight: 58 g/2.0 oz  
 Note: Interface for attaching Gen1 Wilcox RAPTAR-S laser range finder to ISMS scope mount. Features an interrupted rail to compensate for the mold seam underneath the rail clamp on the Gen1 RAPTAR-S. Includes screws.  
 EAN: 7340150710415

**A-0032 Picatinny Rail 14x75 mm**

Height: 14 mm/0.55"  
 Length: 75 mm/2.95"  
 Weight: 31 g/1.1 oz  
 Note: Picatinny interface for attaching 3<sup>rd</sup> party accessories with Picatinny clamps to the ISMS scope mount. Includes screws.  
 EAN: 7340150710217

**A-0037 Picatinny Rail 20x75 mm**

Height: 20 mm/0.79"  
 Length: 75 mm/2.95"  
 Weight: 32 g/1.1 oz  
 Note: Picatinny interface for attaching 3<sup>rd</sup> party accessories with Picatinny clamps to the ISMS scope mount. Includes screws.  
 EAN: 7340150710224





**A-0046B Mirage Band Interface**

Weight: 2 g/0.1 oz  
 Note: Hook for attaching mirage band to front of ISMS scope mounts. Fits AI, SAKO, and Sauer mirage bands. Cannot be used with cantilever ISMS scope mounts. Includes screws.  
 EAN: 7340150710293

**A-0055 Aimpoint ACRO P-1 Interface**

Weight: 20 g/0.7 oz  
 Note: Interface for attaching Aimpoint ACRO P-1 red dot sight to ISMS and Spuhr Hunting Series rings and scope mounts. Includes screws.  
 EAN: 7340150710545

**A-0080/81 Leveling Kit, Separate Rings**

Note: Leveling kit for indexing the reticle to the Picatinny Rail. Included with SR-series of rings. Cannot be used with Weaver rails, ISMS unimounts or ISMS cantilever mounts.  
 EAN: 7340150710231

**A-0090 Picatinny Tri-Rail, Short**

Length: 70 mm/2.76"  
 Weight: 146 g/5.2 oz  
 Note: Interface for attaching 3<sup>rd</sup> party accessories with Picatinny clamps to the top and sides of a 34 mm ISMS scope mount. Fits around front ring on 34 mm mounts. Includes screws.  
 EAN: 7340150710248

**A-0119 Bubble Level Assembly**

Weight: 20 g/0.7 oz  
 Note: External Bubble Level Assembly designed to attach forward on the scope mount body or ring. Perfect solution for shooters who are unable to focus on the built-in level in the standard ISMS series or who has a model without a built-in level. The angle of the assembly can be adjusted using two set screws. Includes screws.  
 EAN: 7340150710712

**A-700 NV Clip-On Adapter**

Length: 300 mm/11.81" (from face of mount)  
 140 mm/5.51" (length of Picatinny)  
 Weight: 200 g/7.0 oz  
 Note: Adapter rail for attaching a clip-on NV device to rifles without extended Picatinny rails. Attaches to 01- and 02-series mounts and allows the NV device to be aligned despite tilt. Not for use on rifles larger than 7.62 NATO. Includes screws.  
 EAN: 7340150710262

**Accessories & Spares Kit**

Note: At times customers require a way to transport accessories and spare parts in a well-organized way. The A-0039 and A-0039B kits are in government use and contain various customer specified captive-screw accessories, spare parts, and a Torx key to make field expedient repairs.  
 EAN: 7340150710323 (A-0039)  
 7340150710330 (A-0039B)



## Simrad Interfaces

Please note that Simrad image intensifiers are available with a wide assortment of locking interfaces. As an example, the KN200 and KN250 series can be had with both single and dual lever interfaces with various lengths and shapes. The length and diameter of the rifle scope will also impact which interface will fit and which will not.

### A-49 Simrad S&B 5-25 Gen2 Top Cover

Height: 29.5 mm/1.161" (from centerline)  
 Weight: 70 g/2.5 oz  
 Note: Replacement front top cover for mounting single-lever Simrad KN200/250 Image Intensifier to a 34 mm mount. 7.5 mm offset. Not for US Simrad dovetails.  
 EAN: 7340150710422



### A-0014 Simrad Mount

Height: 22 mm/0.866" (from centerline)  
 Weight: 16 g/0.6 oz  
 Note: Interface for mounting single-lever Simrad KN200/250 Image Intensifier to a 30 mm mount with short scope such as the S&B 3-12x50. Not for US Simrad dovetails. Includes screws.  
 EAN: 7340150710347



### A-0014B Simrad Mount Short, 40 mm

Height: 24 mm/0.945" (from centerline)  
 Weight: 18 g/0.6 oz  
 Note: Interface for mounting single-lever Simrad KN200/250 Image Intensifier to a 34 mm mount with short scope such as the S&B 3-12x50. 0mm offset. Not for US Simrad dovetails. Includes screws.  
 EAN: 7340150710132



### A-0017 Simrad Mount, 52 mm

Height: 24 mm/0.945" (from centerline)  
 Weight: 28 g/1.0 oz  
 Note: Interface for mounting single-lever Simrad KN200/250 Image Intensifier to a 34 mm mount. 2 mm offset. Not for US Simrad dovetails. Includes screws.  
 EAN: 7340150710156



### A-0018 US Simrad Mount

Height: 24 mm/0.945" (from centerline)  
 Weight: 25 g/0.9 oz  
 Note: Interface for mounting single-lever Simrad KN200/250 Image Intensifier to a 34 mm mount. For US Simrad dovetails. Includes screws.  
 EAN: 7340150710163



### A-0024 Simrad Mount, 46 mm

Height: 24 mm/0.945" (from centerline)  
 Weight: N/A  
 Note: Interface for mounting single-lever Simrad KN200/250 Image Intensifier to a 34 mm mount with short scope such as the S&B 3-12x50. Not for US Simrad dovetails. Includes screws.  
 EAN: 7340150710361



**A-0049 Simrad S&B 5-25 Gen1 Top Cover**

Height: 29.5 mm/1.161" (from centerline)  
Weight: 77 g/2.7 oz  
Note: Replacement front top cover for mounting single-lever Simrad KN200/250 Image Intensifier to a Gen1 34 mm mount. 7.5 mm offset. Not for US Simrad dovetails.  
EAN: 7340150710378

**A-0091 Simrad Gen1 Top Cover, 75 mm**

Height: 29.5 mm/1.161" (from centerline)  
Weight: 77 g/2.7 oz  
Note: Replacement front top cover for mounting single-lever Simrad KN200/250 Image Intensifier to a Gen1 34 mm mount with short scope such as the S&B 3-12x50. 7.5 mm offset. Not for US Simrad dovetails.  
EAN: 7340150710385

**A-0115 Simrad Interface, Magnum**

Height: 45.5 mm/1.791" (from centerline)  
Weight: 120 g/4.2 oz  
Note: Replacement front top cover for mounting dual-lever Simrad KN200/250 Image Intensifier to a Gen2 34 mm mount. Not for US Simrad dovetails. For heavy recoiling rifles.  
EAN: 7340150710286



## Non-Spuhr Accessories

In addition to products of our own manufacture we also carry a limited number of accessories manufactured by other companies. These are products that fulfill our demands on quality and functionality, and we are very pleased to be working with these companies.

### ACIMIL-A2 MilSpec Angle Cosine Indicator

Weight: 22 g/0.8 oz

Note: The Sniper Tools Angle Cosine Indicator (ACI,) is a simple tool for snipers/hunters in mountainous terrain for determining the angle to the target so that adjustments can be made to achieve the correct Point-of-Impact. The cosine numbers are laser engraved onto the body in 5-degree increments.

Manufacturer: Sniper Tools Design Co., USA



### HH-0001 Hawk Hill Custom D.O.P.E. Card Holder

Weight: 50 g/1.8 oz

Card Size: 73 x 61 mm/2.87"x2.40"

Note: The Hawk Hill Custom "RMD" or Rifle Mounted Data-Holder, also known as a D.O.P.E. card holder (D.O.P.E. = Data Observed from Previous Engagements,) is designed to revolutionize target data management. The flexible design with multi axis rotation allows target data and information to be easily viewed without changing shooting position. Attaches to Spuhr interface.

Manufacturer: Hawk Hill Custom, USA



### TQ-FISS Fix It Sticks Spuhr Torque Kit

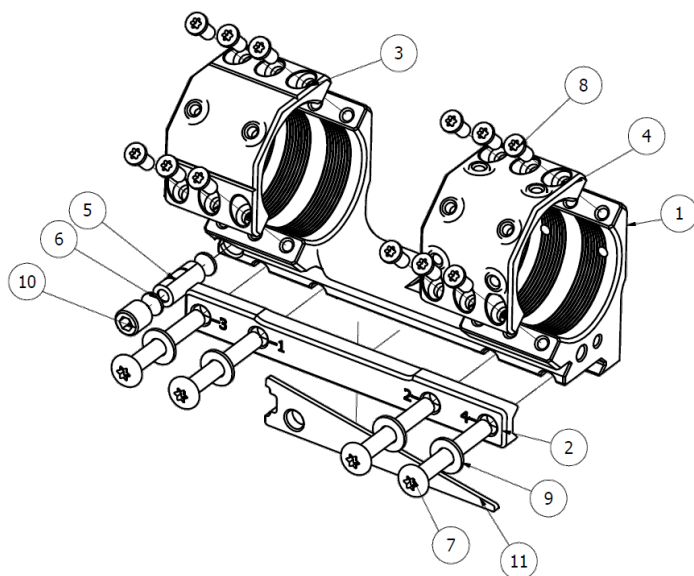
Note: Fix It Sticks Spuhr-specific torque kit containing two Fixit sticks, a 25 in/lb and a 45 in/lb torque limiter, and two each of standard length and extended length Torx 20 bits. Delivered in slim, soft-pouch with Velcro panel. Includes an *Approved by Spuhr* patch.

Manufacturer: Fix It Stick, LLC, USA

EAN: 7340150710316



## ISMS SPARE PARTS LIST



### Nomenclature

1. Scope Mount Base
2. Side Clamp
3. Rear Top Cover
4. Front Top Cover
5. Bubble Level Vial (A-0110) \*
6. Rubber Gasket (A-0170) \*
7. Clamping Screws
8. Top Ring Screws (P-100) \*
9. Clamping Screws Washers (A-0180) \*
10. Set Screw (A-0140) \*
11. 10-degree Levelling Key ("Wedge")

\* Shared by all 1-piece mounts

### Scope Mount Base

The Scope Mount Base is marked with the mount model number engraved on the side of the bridge<sup>1</sup>. The batch number is engraved into the bottom of the mount. Old batch numbers consisted of a single letter followed by four numbers, such as M-1204 or M12/04, where the numbers indicate year and month. Current batch number format is four letters, such as NKSX.

### Side Clamp

The Side Clamp is marked with model number and batch number on the backside. The part number is an A followed by four digits. The batch number formats follow the same patterns as that of the Scope Mount Bases.

### Top Covers

The Top Covers are marked with a part number and a batch number. The batch number formats follow the same patterns as that of the Scope Mount Bases and the Side Clamps. Gen1 Top Cover part numbers is an A followed by four digits<sup>2</sup> whereas Gen2 Top Cover part numbers is an A followed by two digits. Gen2 Top Covers can be distinguished from Gen1 Top Covers by the side-to-side groove crossing the top:



*Gen1 Rear Top Cover, no groove*



*Gen2 Front Top Cover, w/ groove*

**Note:** Gen1 and Gen2 Top Covers are not interchangeable with each other.

<sup>1</sup> SA for Accuracy International 11 mm dovetail, QDP or SP for Picatinny/STANAG rail, SS for Sauer STR/SSG69, and ST for SAKO TRG/Tikka T3.

<sup>2</sup> Ending on a 0 for Rear Top Cover and a 1 for Front Top Covers.

SIDE CLAMPS	MOUNT MODELS
A-0060	SP-4001, SP-4601, SP-4801, SP-4901
A-0063	SP-4011
A-0064	SP-4002, SP-4004, SP-4006, SP-4007, SP-4008, SP-41808, SP-4302, SP-4602, SP-4802, SP-4804, SP-4808, SP-4902
A-0065	SP-3002, SP-3004, SP-3006, SP-3602, SP-5002, SP-5006, SP-5602
A-0066	SP-3016, SP-3616, SP-4016, SP-4616
A-0067	Discontinued (first batch of SP-5001)
A-0069	SP-4003B, SP-4603B, SP-4803B
A-0070	SA-4601, SA-4801, SA-4901, ST-4701, ST-4708, ST-4801, ST-4808
A-0071	Discontinued (old style SA/ST-series)
A-0072	SP-6002, SP-6004, SP-61602
A-0075	SR-3000, SR-4000
A-0077	SP-6016
A-0083	SP-3001, SP-3601, SP-5001, SP-5601, SP-7601
A-0084	SP-3026, SP-4026, SP-6026
A-0086	SP-4036
A-0087	SA-3601, ST-3701
A-0092	SS-3601, SS-4901 (2018 model)
A-0098	SR-3006, SR-4006
QD-006	QDP-4002, QDP-4602
QD-008	QDM-series
QD-009	QDP-3016, QDP-3046, QDP-3616 QDP-4016, QDP-4046, QDP-4616
SM-120	SM-2001/2002/2002B/2007/2007B
SM-123	SM-1900/3002/3002B

TOP COVERS	MOUNT MODELS
A-0030	All Gen1 30 mm mounts, Rear
A-0031	All Gen1 30 mm mounts, Front
A-0040	Gen1 34 mm mounts, Rear
A-0040B	SP-4036, Rear, Gen1
A-0041	All Gen1 34 mm mounts, Front
A-0050	All Gen1 35 mm mounts, Rear
A-0051	All Gen1 35 mm mounts, Front
A-0073	All Gen1 36 mm mounts, Rear
A-0074	All Gen1 36 mm mounts, Front
A-0096	All Gen1 40 mm mounts, Rear
A-0097	All Gen1 40 mm mounts, Front
A-30	All Gen2 30 mm mounts, Rear
A-31	All Gen2 30 mm mounts, Front
A-40	Gen2 34 mm mounts, Rear
A-40B	SP-4036/4636, Rear, Gen2
A-41	All Gen2 34 mm mounts, Front
A-50	All Gen2 35 mm mounts, Rear
A-51	All Gen2 35 mm mounts, Front
A-60	All Gen2 36 mm mounts, Rear
A-61	All Gen2 36 mm mounts, Front
A-70	All Gen2 40 mm mounts, Rear
A-71	All Gen2 40 mm mounts, Front



*Gen1 Rear Top Cover, no groove*



*Gen2 Rear Top Cover, w/ groove*

**Note:** Gen1 and Gen2 Top Covers are not interchangeable with each other.

<b>OTHER</b>	<b>MOUNT MODELS</b>	<b>DESCRIPTION</b>
A-0085	SA/ST-series	Recoil Screw
A-0111	SR-series	5 mm Bubble Level Vial
A-0155	SR-series	Bubble Level Retainer Clip
A-0190	SR-series	4.5 mm Rubber Washer
S-1003	SS-series	6-48x1/4" WH Torx 10 Recoil Screw Recoil Screw
QD-003	QDP-series	QD Lever Hinge Pin Screw
QD-004	QDP-series	QD Locking Block
QD-005	QDP-series	QD Friction Plate
S-1025	QDP-series	M4x16 Tensioning Screw
S-2107	QDP-series	Side Clamp Compression Spring
S-2506	QDP-series	Tensioning Screw Disc Spring
ZQD-010	QDP-series	QD Lever Assembly

### **CLAMPING SCREWS**

#### **MOUNT MODELS**

A-0130	All SP-XX02, SP-XX03b, SP-XX04, SP-XX06, SP-XX07, SP-XX08, SP-XX16, SP-XX26, and SP-XX36 models
A-0135	All SA and ST models
A-0150	All SP-XX01 and SP-XX11 models, SR-3000 and SR-4000
S-1332	All SS models and SM-3002/3002B

### **"WEDGE"**

#### **MOUNT MODELS**

A-0080	All 01, 02, 03b, 06, 07, 11, 16, 26, 36, and 46 heights, and SR-series rings
A-0081	Leveling base for SR-3000 and SR-4000
A-0082	All 04 and 08 heights

---

## CHOOSING A MOUNT

We have the world's most comprehensive line of tactical scope mounts; it currently spans about 60 different models of various heights, tilts, lengths, and ring dimensions. We have therefore compiled this short guide to help you choose the right mount for your needs.

### Picatinny or direct/dovetail mount?

The first question is if the mount should be a Picatinny mount (models beginning with SP or QDP) or a direct attachment mount such as our line of ISMS mounts for Accuracy International (discontinued SA-series,) Sako TRG/Tikka T3x (ST,) and Sauer SSG (discontinued SS-series)?

The main reason for using a direct mount is to allow a stronger and lower positioning of the rifle scope. If there is no other need for a Picatinny rail, we generally recommend direct mounts on these rifles.

Please note that both Accuracy International and Sako are now making rifles that have Picatinny rails rather than their traditional dovetails, so make sure which style of mount is needed for your rifle.

### Cantilever or block mount?

As can be seen from the first 20 pages of this catalog most of our mounts are standard block mounts as these will be the best choice for most rifles on the market.

There are some exceptions though: AR15 rifles usually require a cantilever mount for a comfortable shooting position, and an AR15 with an adjustable stock will more often need a more extreme cantilever than an AR10/SR25 due to the difference in length of the upper receiver. As such, if your rifle has a monolithic upper receiver, we recommend using a standard block mount rather than a cantilever design, as a cantilever will be more susceptible to side forces than a non-cantilever design.

### Height

The height of our mounts is always measured from the top of the rail to the centerline of the scope. In the case of a tilted mount the measurement is made at the back plane of the rear ring.

So which height do you need? First off you need to know the outer diameter of your objective. Please note that "3-12x56" does not mean that the scope has an outer objective diameter of 56 mm - only that the objective lens is 56 mm in diameter. Different scopes have different outer diameters for the same lens diameters, and it is not uncommon that different models from the same manufacturer feature different outer diameters even if the lens diameter is the same.

Take the measurement above and divide it by two (2) to get the theoretical minimum height required if the optics will be mounted onto a flat rail that extends to and/or past the objective bell. This theoretical minimum height is theoretical for a reason. If the objective has a 62 mm outer diameter and you choose a 31 mm high mount the objective will be in contact with the rail. You will therefore need to add to the theoretical minimum height to get the practical minimum height.

So how much do you need to add? That depends on your personal preference and on what kind of lens caps etc., you want to use. Also, if you want to use a tilted mount/base you will need to add additional clearance.

If you intend to mount the optics onto a bolt action rifle with Picatinny base you can often use a lower mount than the theoretical minimum height above. Just subtract the height of the base from the theoretical minimum height mentioned above. Depending on barrel contour you might be able to go even lower. But don't forget to leave some clearance for lens caps and/or sunshades!



## Night vision/thermal compatibility

When combining the scope with a clip-on system such as PVS22 or NSV-80, to name a few, the height of the mount is not important. Also, the instrument does not have to be perfectly in line with the scope.

If we have an offset of 10 mm in height between the primary optic and the NV clip-on the change in point of impact will be 10 mm on 100 meters as well as 10 mm on 300 and 1000 meters: the point of impact shift is fully parallel.

It is often unnecessary to have extremely high mounts just to facilitate in-line mounting of a clip-on system. Various systems allow varying degrees of angular difference. A common maximum angular difference is 2 degrees. If you do want a perfect alignment, we do offer the A-700 Clip-On Adapter that will fit onto any of our SP-\*\*\*1 and SP-\*\*\*2 mounts.

## Tilt

Tilted mounts are necessary when shooting at very long distances. We generally recommend as little tilt as possible as a large amount of tilt may have a negative impact on the quality of the sight picture. In most cases 6-9 MIL (20-30 MOA) will have no negative impact on sight picture quality while still providing greater available adjustment range for long-range shooting.

For the greatest available adjustment range you should choose a mount with a tilt that is no more than half of the scope's range of elevation. For example, the Schmidt & Bender 5-25x56 PM II has a maximum elevation adjustment of 26 MIL; you should therefore choose a mount with 13 MIL in tilt (provided there is no tilt in the rail). Doing so assures that you can adjust the sight out to very long distances while still being able to zero at 100.

However, when mounted in this extreme elevation it is common to experience optical phenomena such as an oval sight picture when shooting at near targets. We therefore recommend that when fitting a large elevation scope (such as 26 MIL) on a .308 rifle that will only be used out to 1000 meters, to choose a 6 MIL/20 MOA tilt as it is more than sufficient for that use.

Please note that using a degree of tilt that is more than half of the scope's elevation adjustment will make it impossible to zero the rifle at 100!

## Adding accessories

Several years ago, we developed our own interface system – the Spuhr Interface – for attaching accessories to a surface. As opposed to many other interface systems on the market the Spuhr Interface can be used not only on handguards but also on other products and parts of the firearm – such as on our scope mounts – and in our production, we use it for both applications.

The Spuhr Interface has outstanding repeatability and durability and it makes installation of accessories such as laser range finders and angle cosine indicators very easy. Installation is done using the same Torx 20 driver as for our rings and clamping screws.

## Adding a secondary optic

Though originally more common in the shooting sports, adding a secondary non-magnified red dot sight to work alongside the primary optic can be very useful on long range rifles and on hunting rifles alike as to quickly transition from one target to another without having to adjust the magnification, or to engage targets that suddenly appear close by.

On a heavy rifle that is primarily being shot from a bipod we recommend placing the secondary optic at the 12 o'clock position using one of our many Picatinny rails or RDS interfaces as it will be easier to see over the

primary optic than to cant the rifle to the side to use the secondary. On rifles that are primarily fired while standing we recommend positioning the secondary optic at the 1:30-position.

If using an Aimpoint Micro as a secondary optic we are very fond of using the A-0025 interface to position the Aimpoint at the 4:30 position as this will allow the shooter to transition to secondary without breaking cheek-weld – just cant the rifle to the left and fire.



## OTHER PRODUCTS

Though famous for our Ideal Scope Mount System the company was founded around the **GS-1050 NVG carry system**. Since then, we have continued to work with other projects relating to various optic mounts, such as the SM-100 Dual Position Accessory Mount, the SM-101QD Ballistic Adjustable Mount, and others. We have also worked with various upgrade kits for firearms such as the HK G3, G36, HK417, and MP5/HK53, and in 2016 we began delivering G3 upgrade kits to the Swedish Armed Forces.



spuhr i Dalby AB  
Terminalvägen 19  
SE-246 42 Löddeköpinge  
Sweden

+46-46-712012  
info@spuhr.com  
www.spuhr.com

v2021:2